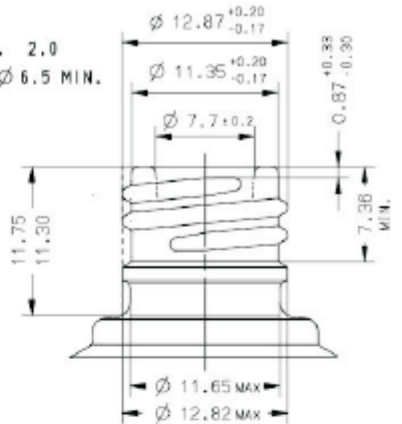
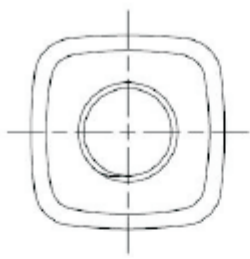
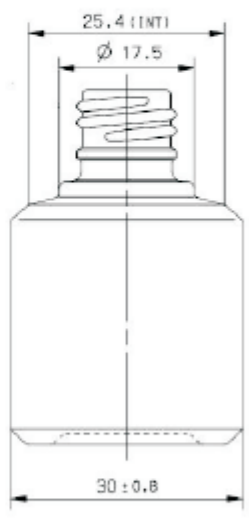
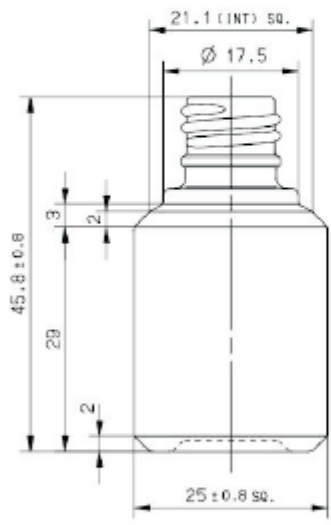


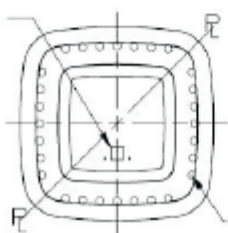
T.P.I 12
NO. OF TURNS 2.0
THRU BORE ϕ 6.5 MIN.



FINISH DETAILS
SCALE 5:2



CAVITY NO.



KNURLING

APPROVED :
CUSTOMER :
SIGN :
NAME :
DATE :