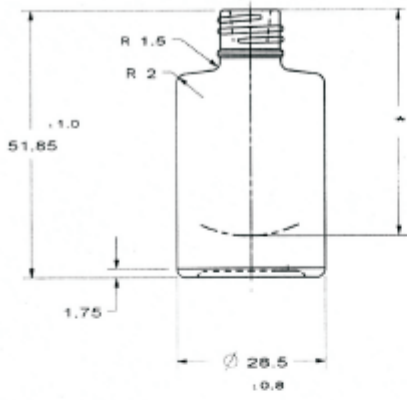
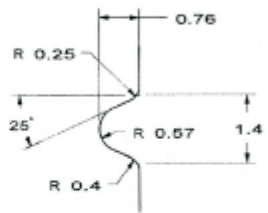
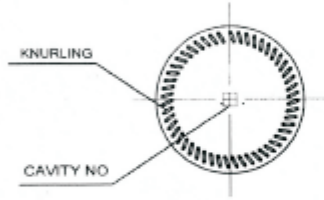


+0.33
-0.3

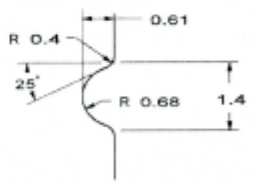
START OF THREAD :--- 0.86
 NO OF TURNE :--- 2
 T.P.L. :--- 12
 THROU BORE MIN. :--- \varnothing 6.5



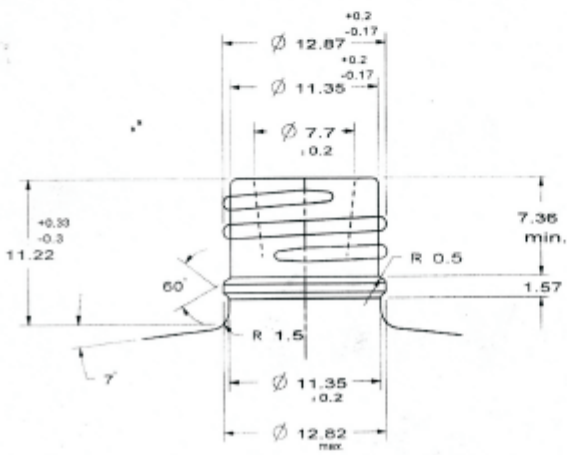
* MIN INTERNAL DEPTH CONFIRM
 AFTER FIRST SAMPLING



NORMAL THREAD



DEPRESS THREAD



FOR APPROVAL :
CUSTOMER:
SIGN:
NAME:
DATE: